



Technical Service Letter

MAESTRO

MAESTRO PRO INVERTER 12 HP (Model # 01925)

B1018 – Maestro Wi-Fi kit installation

For Technical Support contact:

Jack Bartell

Lucas Holleron



j.bartell@olimpiasplendidusa.com

l.holleron@olimpiasplendidusa.com

(800) 408-5196 (ext. 102)

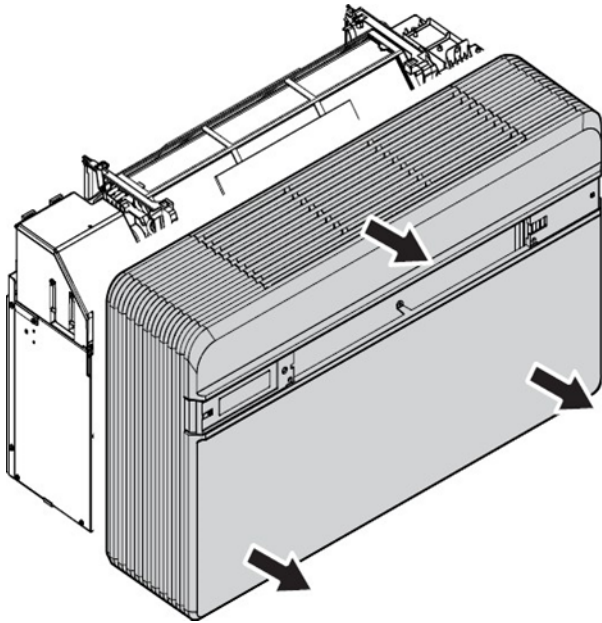
Cell # (405) 664-2075

(800) 408-5196 (ext. 103)

Cell # (972) 358-4130

Removing the front cabinet

- 3 screws in the front
- 2 screws on top
- 2 Screws underneath



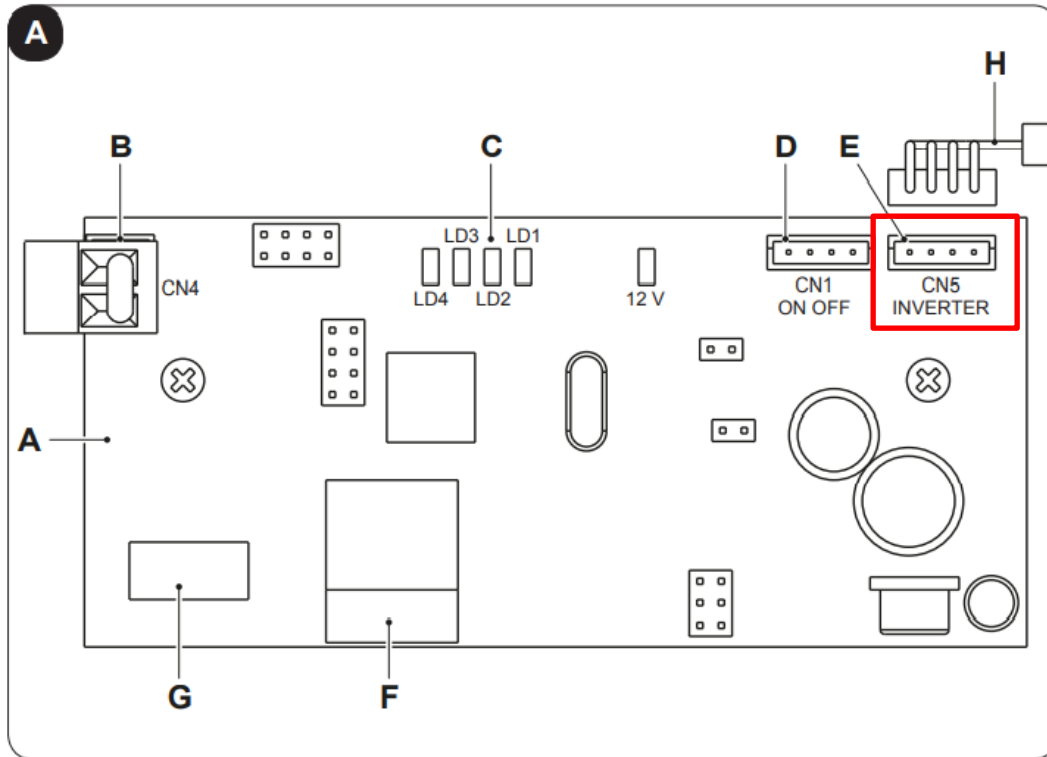
MAESTRO PRO

**OLIMPIA
SPLENDID**
HOME OF COMFORT

Locate and install B1018 Wi-Fi board in designated location seen below, which is at the top right of unit above touch screen display.



Plug in communicating wire into slot “E” labeled INVERTER.



Route communicating wire into chase behind coil and plug into plug under power switch.



MAESTRO PRO

**OLIMPIA
SPLENDID**
HOME OF COMFORT

Replace front cabinet and download the Maestro App from the app store for iPhone or Android devices. And follow set up instructions. B1018 Wi-Fi board will need to be on 2.4GHz to operate properly.



MAESTRO PRO

**OLIMPIA
SPLENDID**
HOME OF COMFORT