



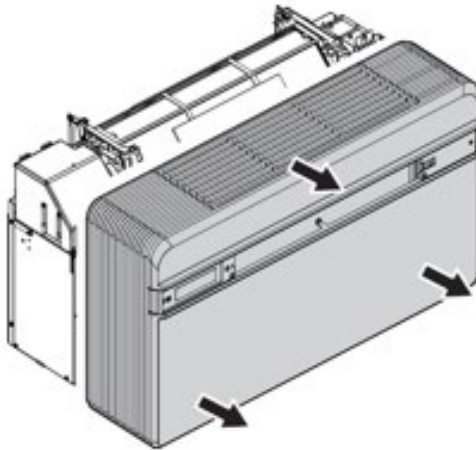
Technical Service Letter – Pan Heater

MAESTRO PRO

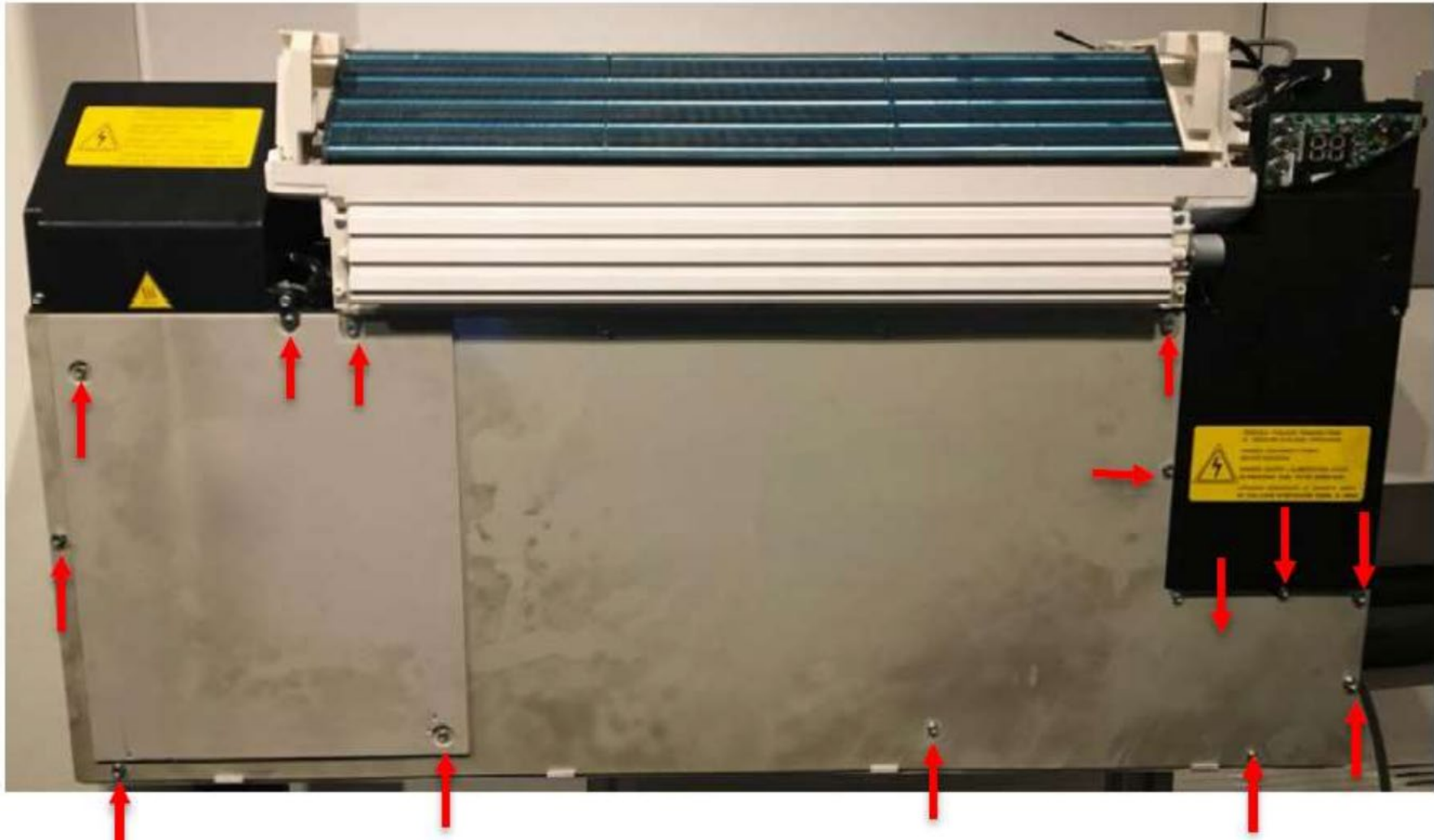
 **OLIMPIA
SPLENDID**
HOME OF COMFORT

Removing the cabinet

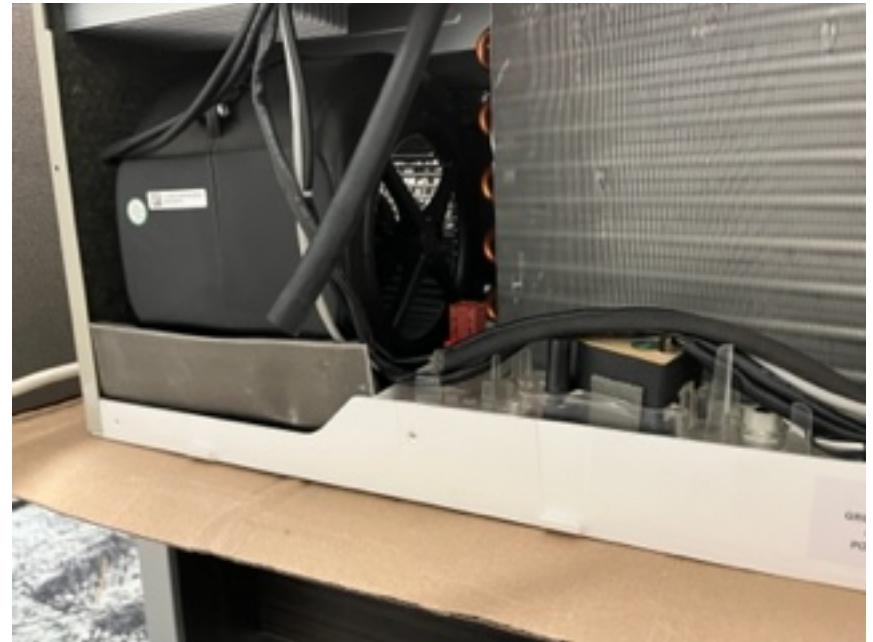
- 3 screws in the front
- 2 screws up top
- 2 Screws underneath



Remove front panel.



Remove clear plastic cover from pump assembly.
Depending on model there is one screw on the back side
to the right of condensate pump.
Disconnect slinger line from condensate pump.



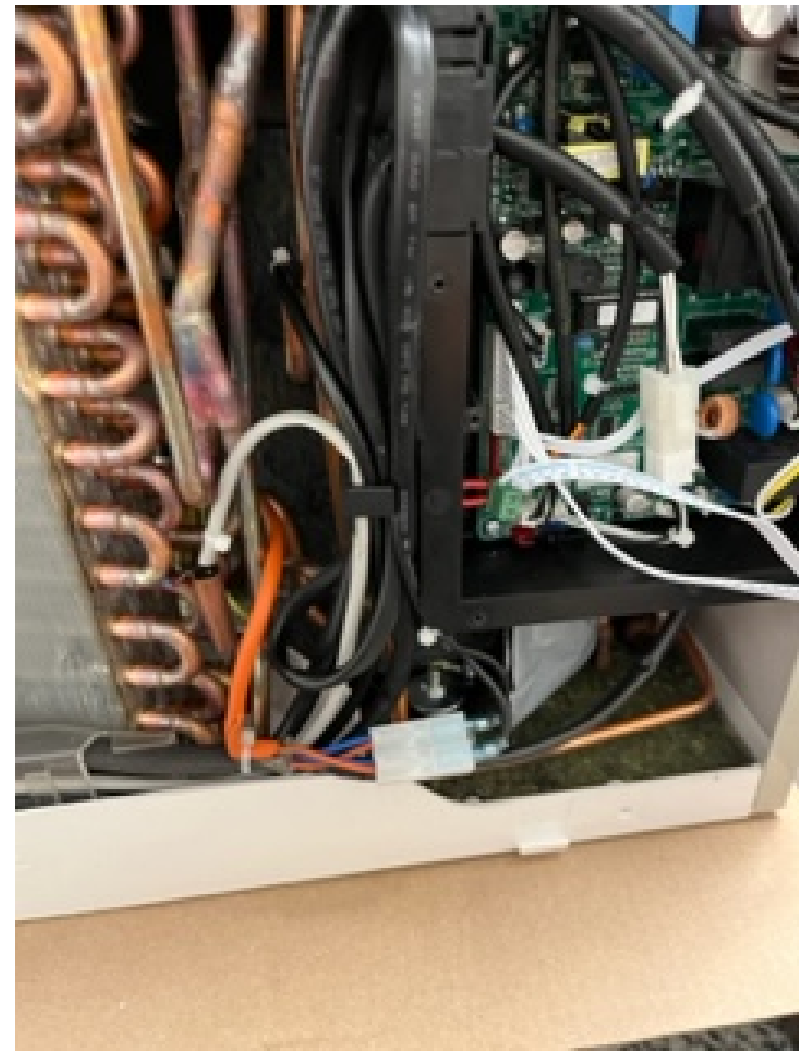
Remove condensate pump assembly by removing 5 screws and lift up and out.



Route heater cable as shown from right to left which is opposite from the installation instructions.



Excess heater cable routes around coil as per current instructions.



Make the connection of thermoactuator cable and heater cable below electrical compartment.



Secure any excess wire to left side of electrical compartment.



Reinstall condensate pump and covers.

